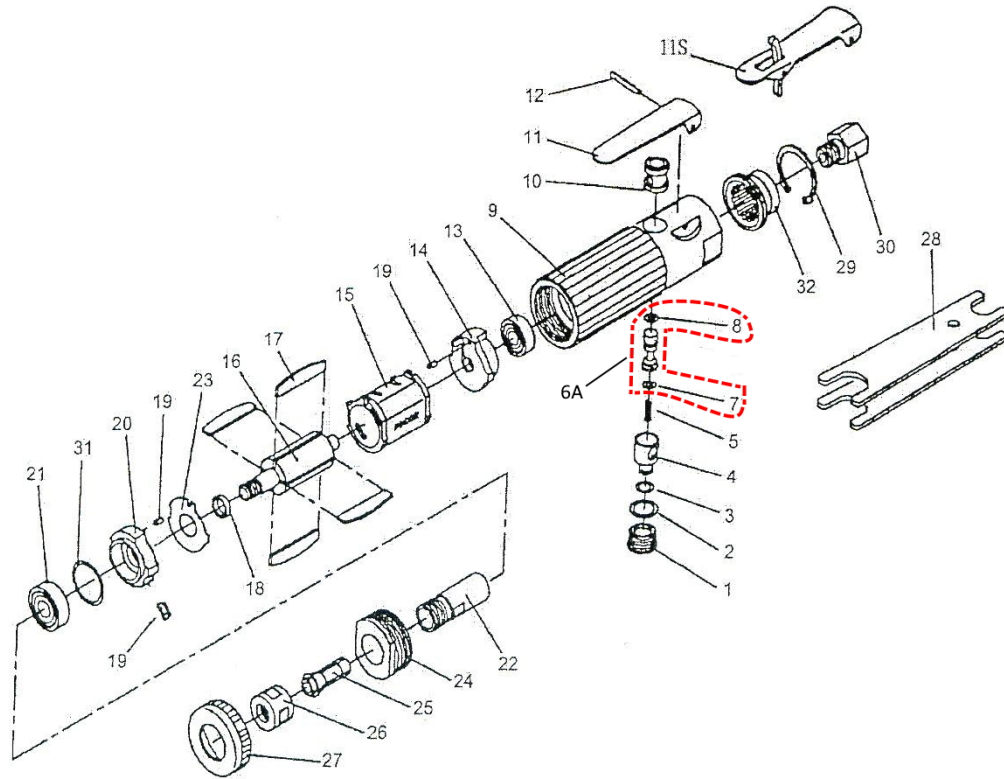




HDGE22-6RS

HEAVY DUTY ECONOMY DIE GRINDER

Wespro Pneumatic Tools



No.	Description	Order Code	Qty	No.	Description	Order Code	Qty
1	Plug Assembly	117859	1	18	Spacer	249349	1
2	O-Ring	132362	1	19	Locating Pin	110764	3
3	O-Ring	132306	1	20	Front Bearing Plate	249350	1
4	Air Regulator	117858	1	21	Ball Bearing	112080	1
5	Valve Spring	110773	1	22	Collet Body	117897	1
6A	Valve Stem Set c/w #7 & #8	117857	1	23	Steel Plate	110738	1
7	O-Ring	132308	1	24	Lock Ring	249351	1
8	O-Ring	132363	1	25	Collet Insert 1/4	124269	1
9	Motor Housing	152640	1		Collet Insert 1/8	162893	
10	Valve Bushing	110777	1		Collet Insert 3mm	130747	
11	Standard Lever	110779	1		Collet Insert 6mm	106499	
11S	Safety Lever	117792	1	26	Collet Nut	83891	1
12	Lever Pin	110780	1	27	Thread Guard	249352	1
13	Ball Bearing	112040	1	28	Wrench	110743	2
14	Rear Bearing Plate	249320	1	29	Retainer Ring	132360	1
15	Cylinder	169075	1	30	Air Inlet	132361	1
16	Rotor	110730	1	31	Shim Pack	132371	0-2
17	Rotor Blade	110731	4	32	Muffler	249353	1

04/05/22