

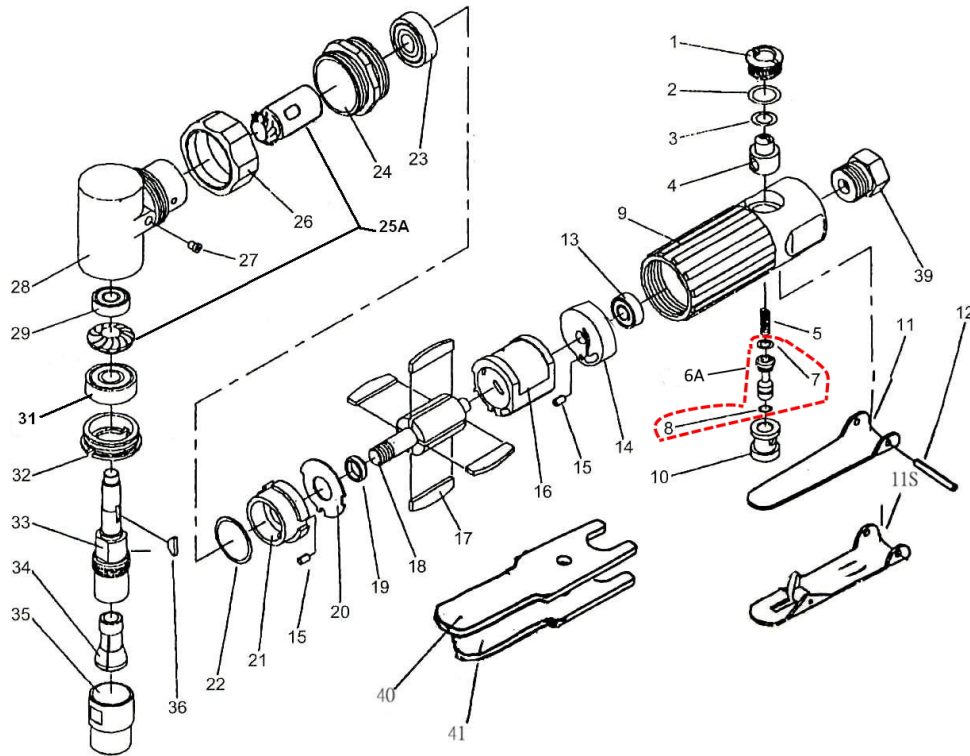


# HDG18A-3RL & 3RS

# HEAVY DUTY ANGLE DIE GRINDER

## Wespro Power Tools

## V.2



<u>No.</u>	<u>Description</u>	<u>Order Code</u>	<u>Qty</u>	<u>No.</u>	<u>Description</u>	<u>Order Code</u>	<u>Qty</u>
1	Plug Screw	132304	1	22	Shim Pack	110745	0-2
2	O-Ring	132305	1	23	Ball Bearing	112040	1
3	O-Ring	174494	1	24	Lock Ring	110716	1
4	Air Regulator	132307	1	25A	Pinion & Bevel Gear Set	110721	1
5	Valve Spring	110773	1	26	Housing Cap	110717	1
6A	Valve Stem Set c/w #7 & #8	132309	1	27	Grease Cap	110727	1
7	O-Ring	174495	1	28	Angle Housing	110718	1
8	O-Ring	132310	1	29	Ball Bearing	116008	1
9	Motor Housing	258076	1	31	Ball Bearing	112040	1
10	Valve Bushing	110756	1	32	Clamp nut	132322	1
11	Standard Lever	110779	1	33	Spindle	110724	1
11S	Safety Lever	117793	1	34	Collet Insert 1/4"	124270	1
12	Lever Pin	110780	1		Collet Insert 1/8"	68585	
13	Ball Bearing	116008	1		Collet Insert 3mm	130747	
14	Rear Bearing Plate	132327	1		Collet Insert 6mm	110740	
15	Locating Pin	110764	2	35	Collet Nut	97881	1
16	Cylinder	110759	1	36	Woodruff Key	110723	1
17	Rotor Blade	108929	4	37	Muffler	187840	1
18	Rotor	110760	1	38	Retaining Ring	112831	1
19	Rotor Collar	132318	1	39	Air Inlet	260239	1
20	Steel Plate	110767	1	40	Wrench	110725	1
21	Front Bearing Plate	132273	1	41	Wrench	110726	1

04/05/22