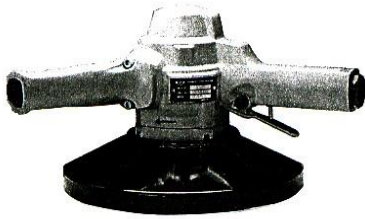




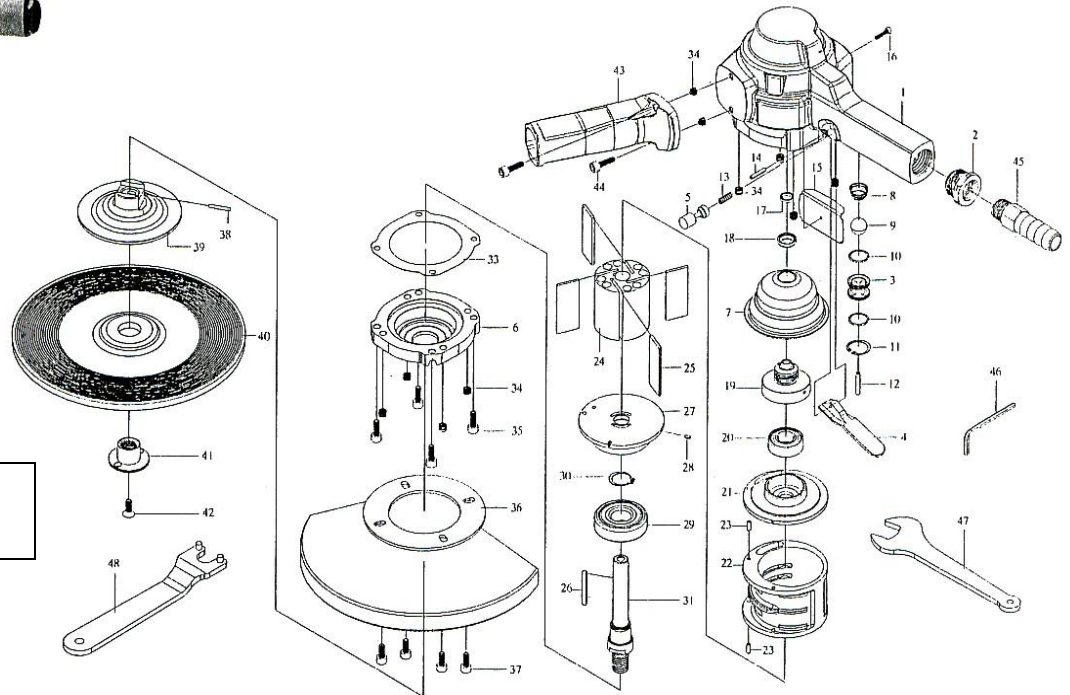
G776V & G960V 7" & 9" GOVERNED GRINDER

Wespro Power Tools

V.2



* New type of governor assembly implemented on April 24, 2003.



Optional: Thin Wheel Flange Spacer C#57852

No.	Description	Order Code	Qty	No.	Description	Order Code	Qty
1	Casing	147966	1	25	Rotor Blade	147980	4
2	Air Inlet Bushing	147967	1	26	Key	148005	1
3	Valve Bushing	147968	1	27	Front Plate	147981	1
4	Valve Lever	147969	1	28	Spring Pin	148001	1
5	Safety Pin	147970	1	29	Ball Bearing	112954	1
6	Head Cover	147971	1	30	Retainer Ring	148009	1
7	Inner Cover	192018	1	31	Wheel Spindle	147983	1
8	Spring	148007	1	33	Head Cover Packing	147987	1
9	Ball	148010	1	34	Heli-Sert	147998	10
10	O-Ring	148011	2	35	Allen Head Screw	147993	4
11	Retainer Ring	148008	1	36	Wheel Guard 7"	73325	1
12	Pin	148000	1		Wheel Guard 9"	148013	1
13	Spring	112842	1	37	Allen Head Screw	147992	4
14	Spring Pin	148004	1	38	Spring Pin	130572	1
15	Exhaust Deflector	147986	1	39	Wheel Holder Flange	130369	1
16	Allen Head Screw	147991	1	40	Disc Wheel	(Not Included)	0
17	Oil Seal	192019	1	41	Wheel Nut Flange	147778	1
18	Inner Cover Shroud	192020	1	42	Allen Head Screw	147994	1
19	Governor Assembly	192021	1	43	Dead Handle	147984	1
20	Ball Bearing	112047	1	44	Allen Head Screw	147993	2
21	Rear Plate	147977	1	45	Air Hose Nipple	32016	1
22	Cylinder	147978	1	46	Allen Wrench	31969	1
23	Spring Pin	148003	2	47	Spanner	147779	1
24	Rotor	147979	1	48	Spanner	147780	1